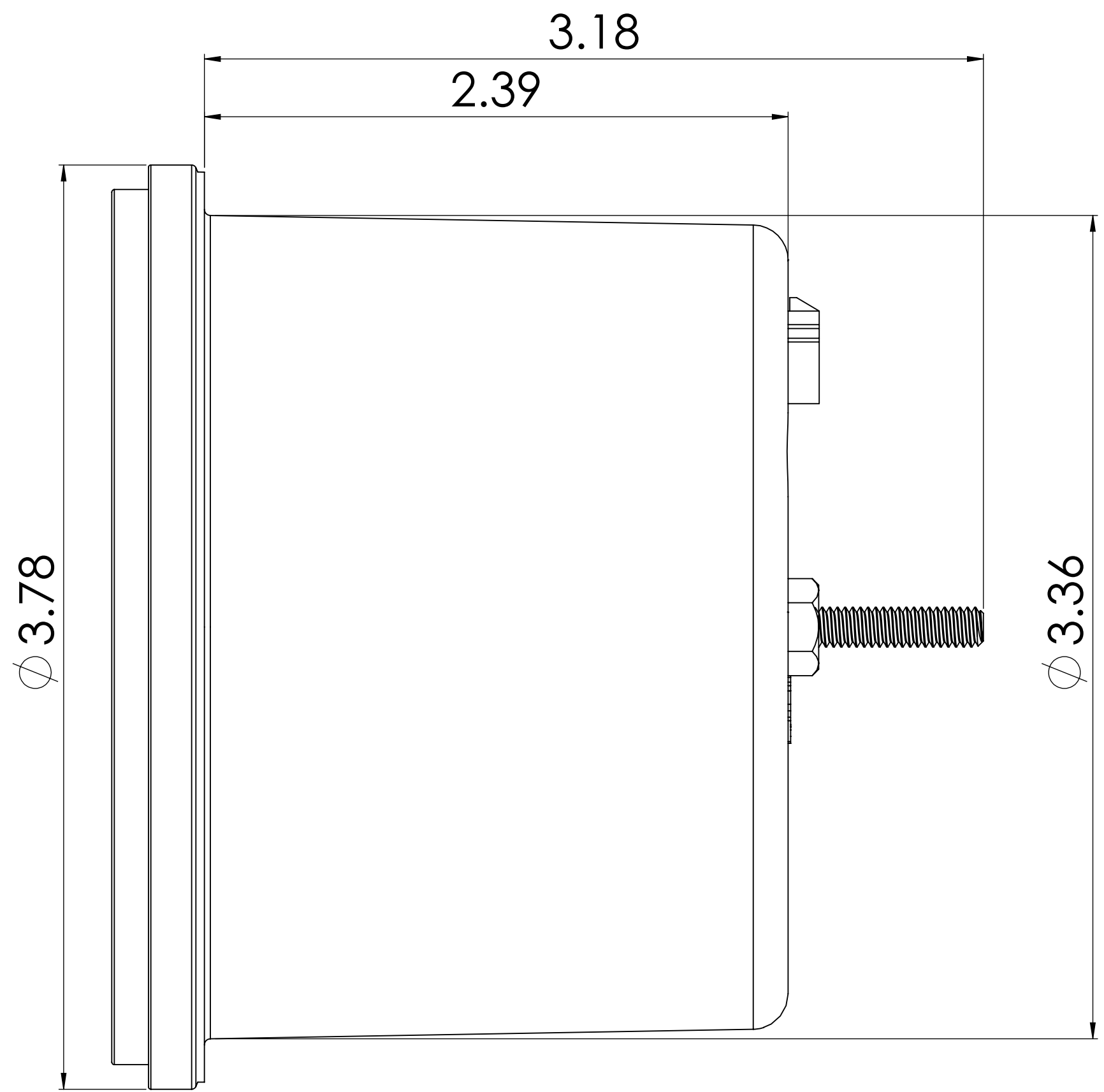
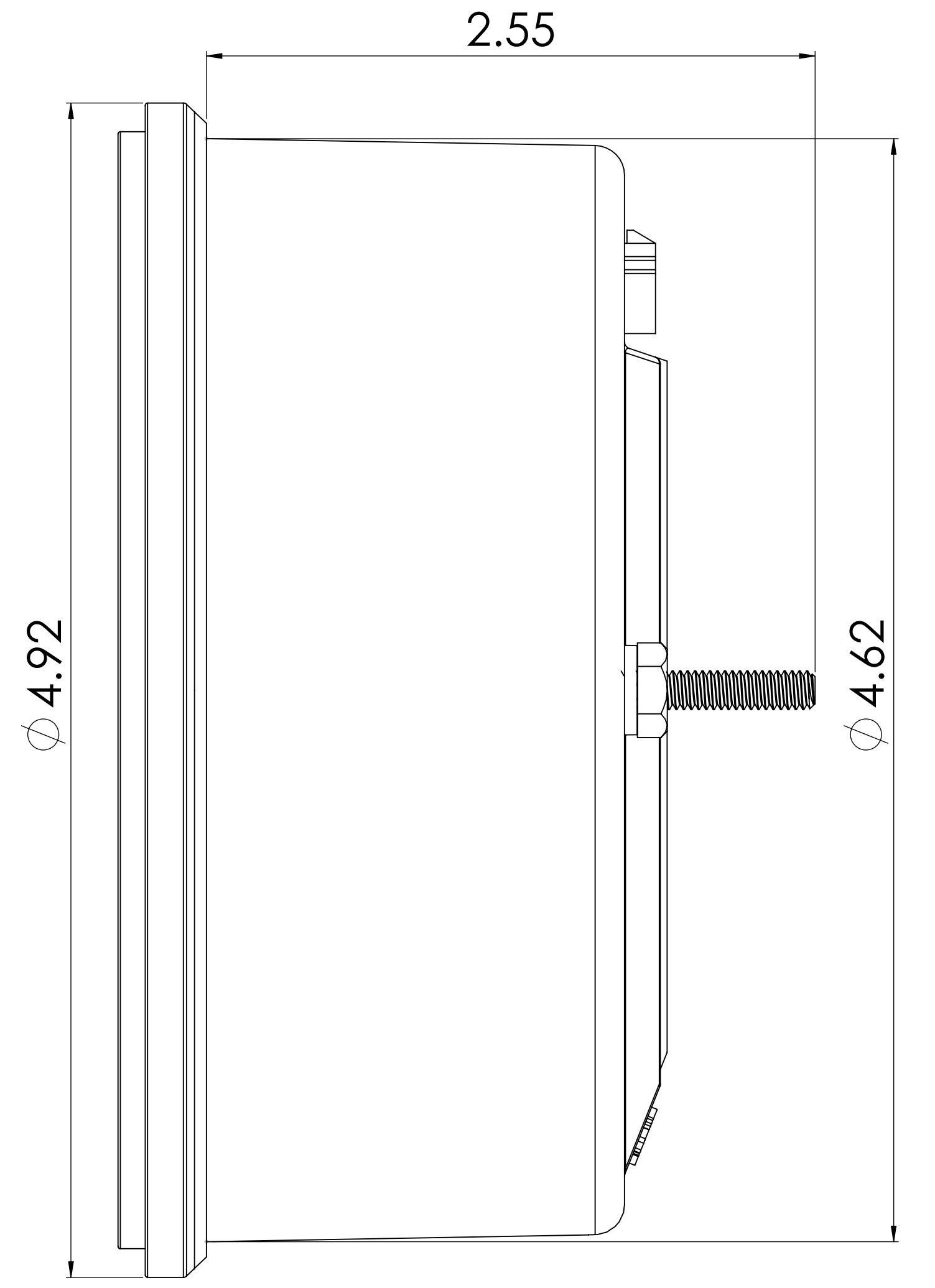


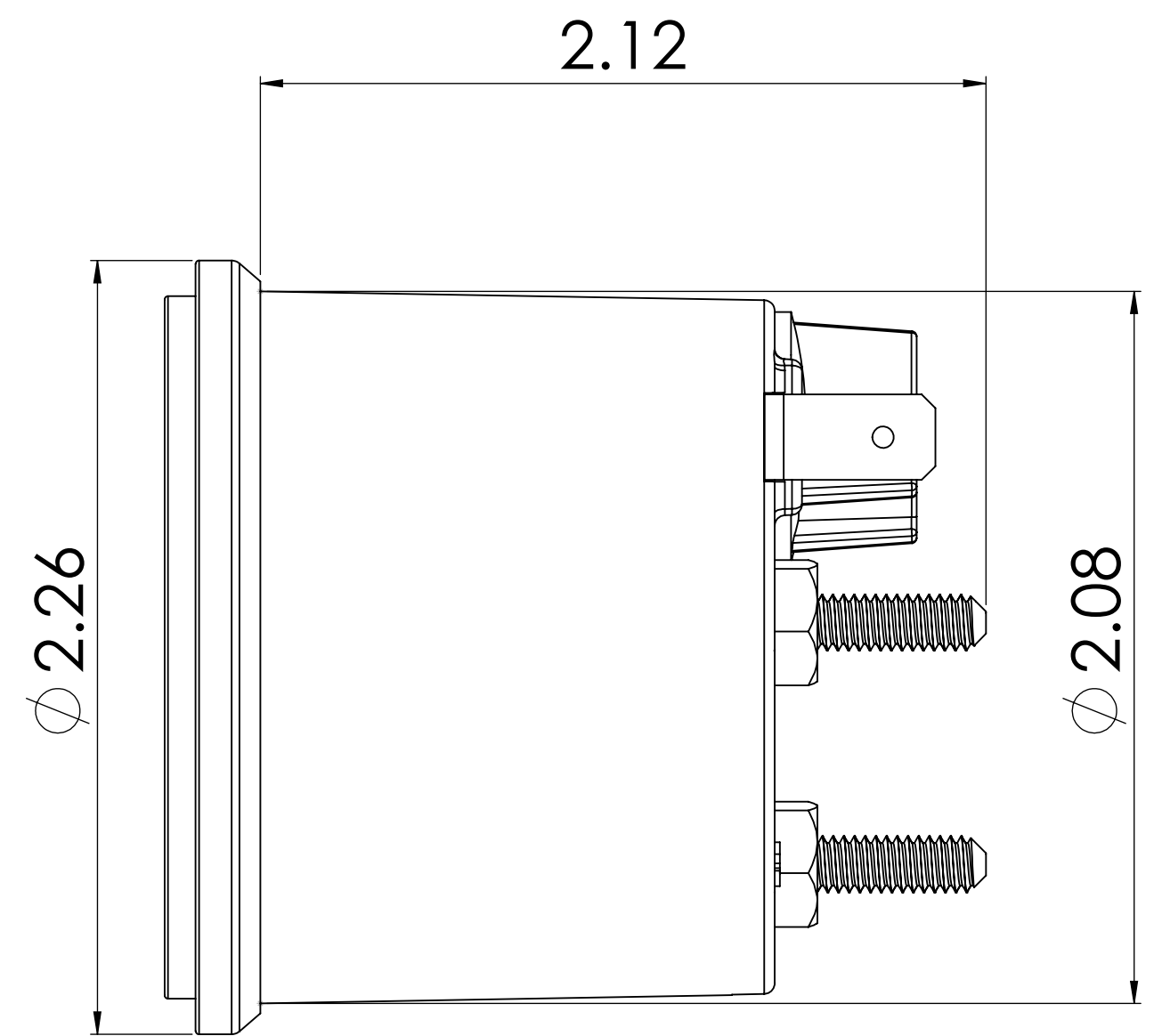
2 1/8" FULL SWEEP AND TACH



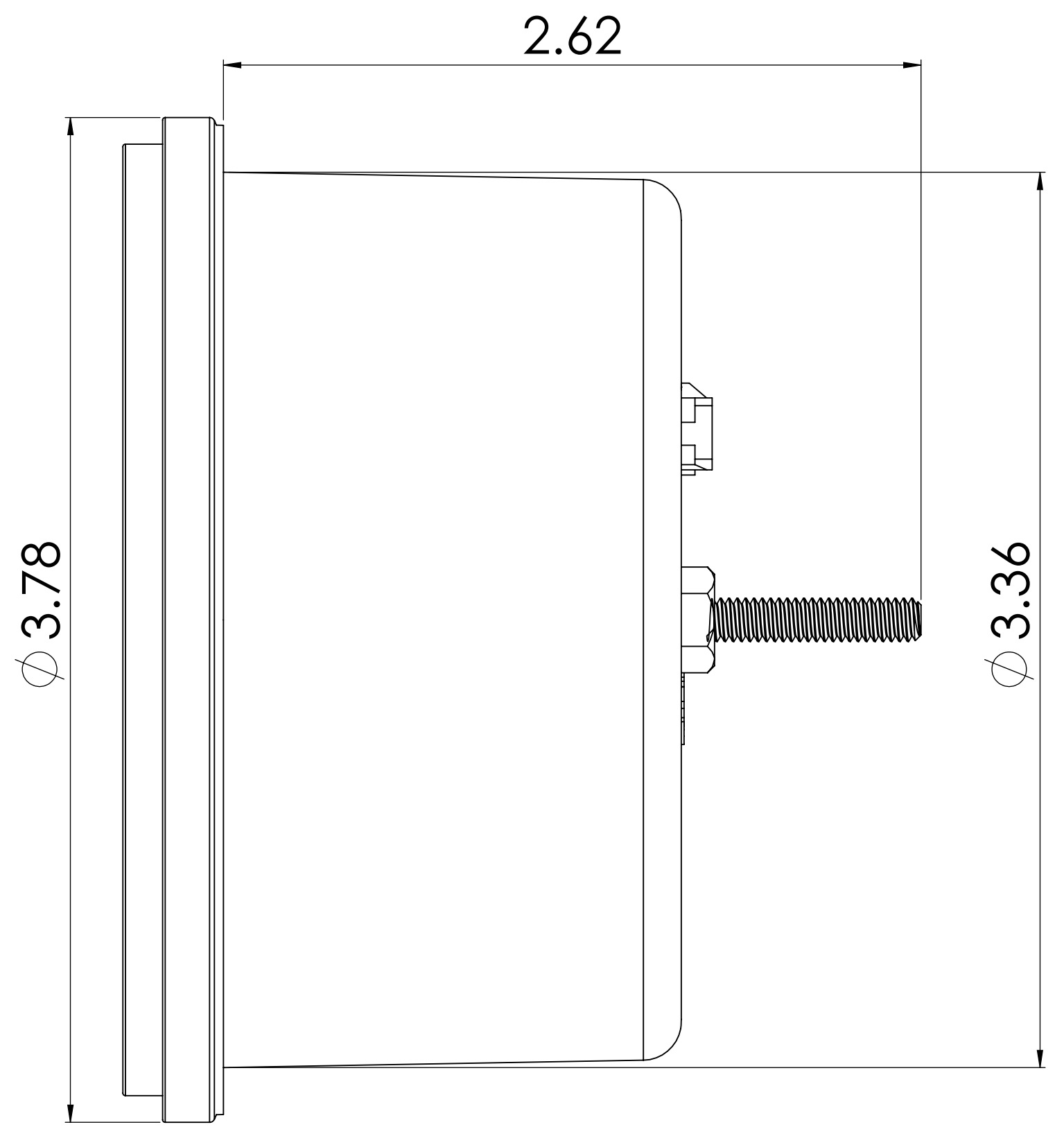
3 3/8" SPEEDOMETER AND ULTIMATE



ALL 5" GAUGES



2 1/8" SHORT SWEEP



3 3/8" TACH, QUAD, DUAL, AND CLOCK

NOTES:

1. ALL DIMENSIONS SHOWN ARE FOR REFERENCE ONLY
2. ALL GAUGES ARE SHOWN WITH LOW STEP BEZELS



THE INFORMATION CONTAINED HEREIN IS CLASSIFIED AND CONFIDENTIAL. IT IS THE SOLE PROPERTY OF CLASSIC INSTRUMENTS. ANY REPRODUCTION OR USE WITHOUT THE WRITTEN CONSENT OF CLASSIC INSTRUMENTS IS EXPRESSLY PROHIBITED.

DIMENSIONS ARE IN INCHES		NAME	DATE	TITLE:
TOLERANCES:		DRAWN BY	5.21.21	OVERALL GAUGE DIMENSIONS
FRACTIONAL ± 0.01		CHECKED BY	XXX	
DECIMAL ±0.001		COMMENTS		
DECIMAL ±0.0005				

MATERIAL	
FINISH	

SIZE	DWG. NO.	REV
D	001	A

DO NOT SCALE DRAWING SHEET 1 OF 1