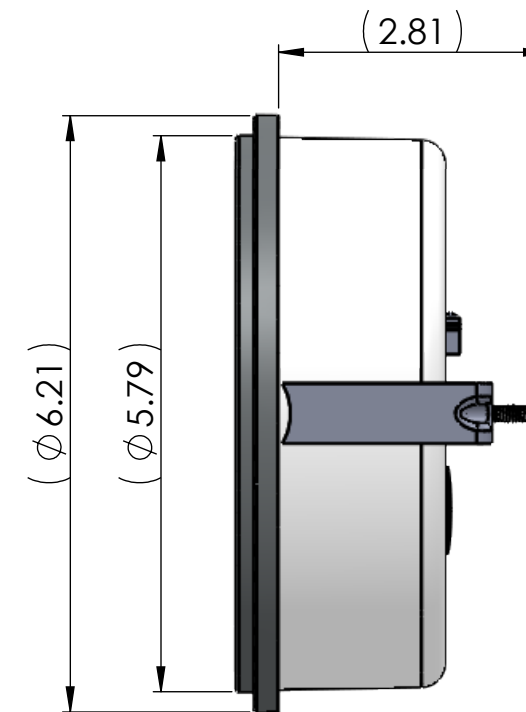
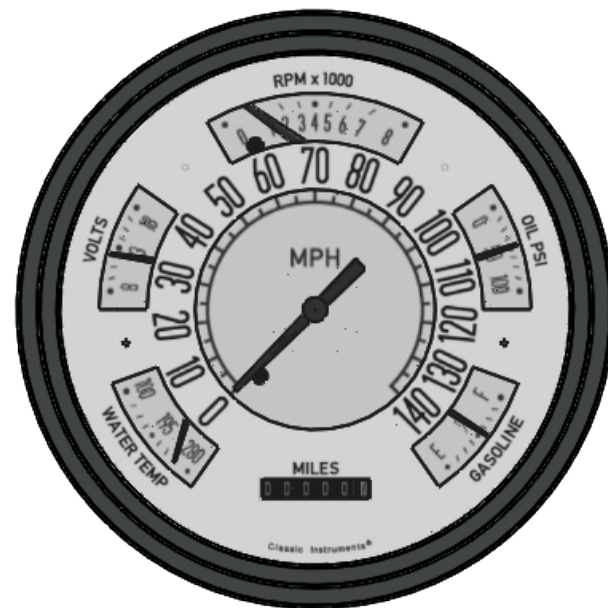
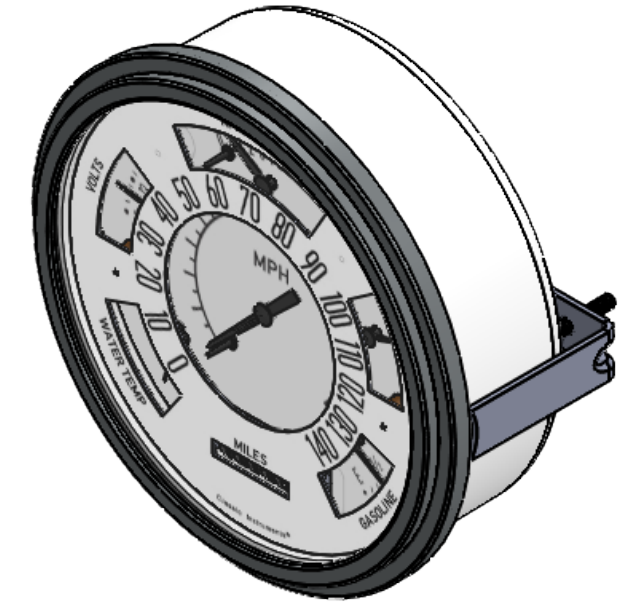


Ø 5 3/4" HOLE REQUIRED FOR FRONT MOUNTING WITH CLAMP



THE INFORMATION CONTAINED HEREIN IS CLASSIFIED AND CONFIDENTIAL. IT IS THE SOLE PROPERTY OF CLASSIC INSTRUMENTS. ANY REPRODUCTION OR USE WITHOUT THE WRITTEN CONSENT OF CLASSIC INSTRUMENTS IS EXPRESSLY PROHIBITED.

UNLESS OTHERWISE SPECIFIED:		NAME	DATE	TITLE:	
DIMENSIONS ARE IN INCHES		DRAWN	DRB	5.4.21	SIX PACK OVERALL DIMENSIONS
TOLERANCES:		CHECKED			
FRACTIONAL ±		COMMENTS:			SIZE
ANGULAR: MACH ± BEND ±					DWG. NO.
TWO PLACE DECIMAL ±					SX01_LF
MATERIAL					REV
FINISH					A
DO NOT SCALE DRAWING		SCALE: 1:2		WEIGHT:	SHEET 1 OF 1